



**FUSE CONNECTOR FOR STREET
LIGHTING LAMPS POWERED BY AN
OVERHEAD POWER LINE WITH
AsXS INSULATED CABLES**

TYPE BZO-03

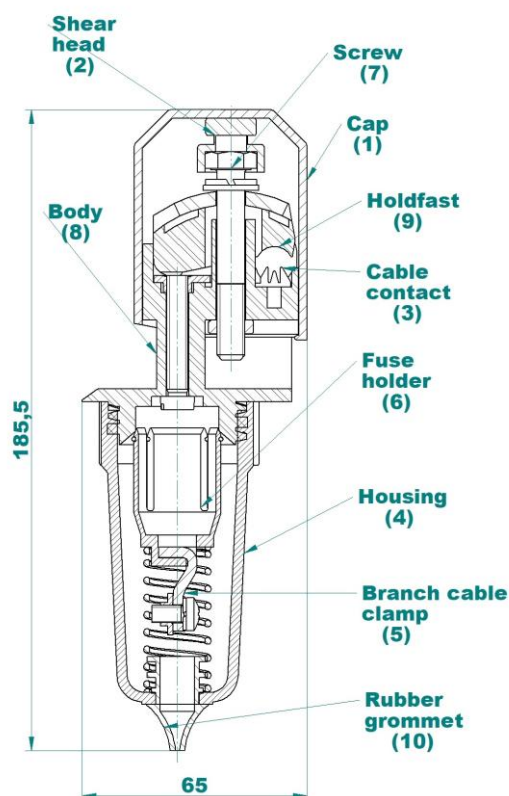


ADVANTAGES

- 1. Unscrewing the connector before installation does not cause the components to fall apart.**
- 2. The screw connecting the main contact is not live.**
- 3. Correct electrical connection is ensured by a shear bolt.**
- 4. Adapted to live working procedures due to the screw being insulated from conductive elements.**
- 5. The body and the holdfast are made of glass-fibre-reinforced polyamide, while the housing and the cap are made of polypropylene.**

SPECIFICATION

Rated voltage	U = 230 V
Overhead line cable cross-section	16-35 mm² AsXS.
Branch cable cross-section	2.5-4 mm²
Torque	10 Nm Screw head size: 13
Max fuse current rating	16 A
Type of fuse	D II
Mass	240 g



SINTUR sp. z o.o.

Supported Employment Enterprise
62-700 Turek Szadów Pański 34

www.sintur.com.pl

email: mark@sintur.com.pl

sales: phone +48 63 289 20 24, phone +48 63 289 43 09

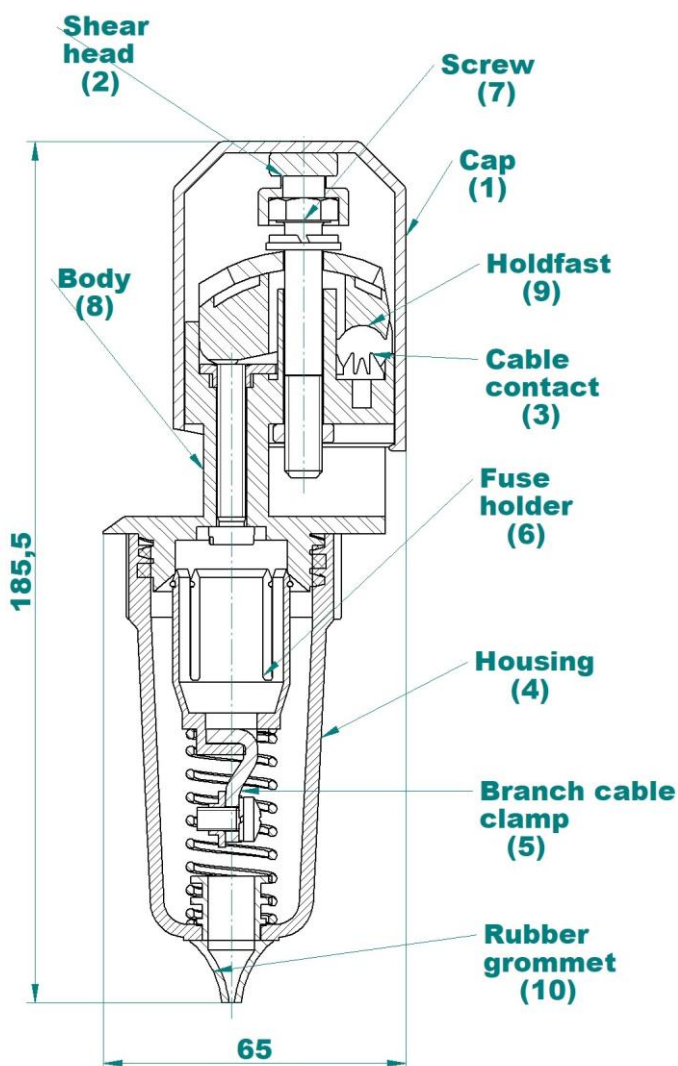


**FUSE CONNECTOR FOR STREET
LIGHTING LAMPS POWERED BY AN
OVERHEAD POWER LINE WITH
AsXS INSULATED CABLES**

TYPE BZO-03

ASSEMBLY OF THE BZO-03 FUSE CONNECTOR

The assembly and installation of products, as well as all maintenance and repair work, should be carried out by persons qualified and authorised in accordance with the regulations applicable to the operation of power lines. Should any damage or irregularities be found, discontinue use of the products and immediately report them to a qualified and authorised person in order to eliminate any irregularities.



CONNECTOR ASSEMBLY SEQUENCE

1. Unscrew housing "4".
2. Insert the branch cable through grommet "10" and connect it to clamp "5".
3. Screw on housing "4".
4. Remove cap "1".
5. Unscrew screw "7" to allow contact "3" to engage the cable.
6. Holding housing "4," place the connector on the cable and screw in screw "7" until head "2" breaks off.
7. Affix cap "1".
8. Unscrew housing "4".
9. Insert the fuse into holder "6" and screw housing "4" back on.

SINTUR sp. z o.o.

Supported Employment Enterprise
62-700 Turek Szadów Pański 34

www.sintur.com.pl

email: mark@sintur.com.pl

sales: phone +48 63 289 20 24, phone +48 63 289 43 09